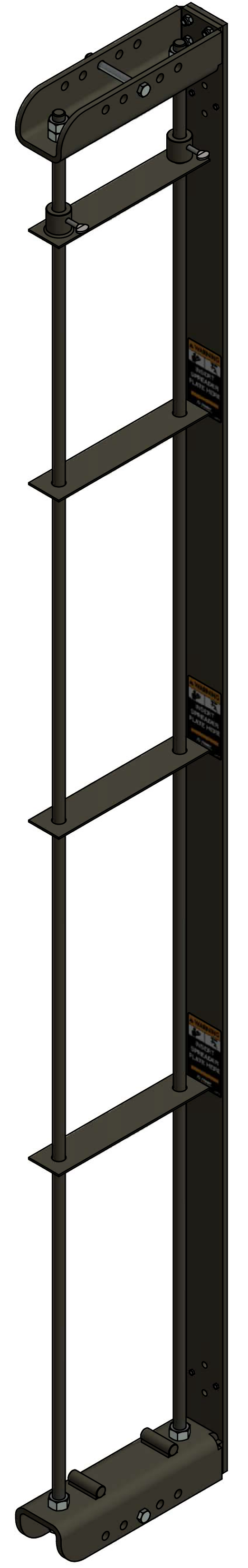
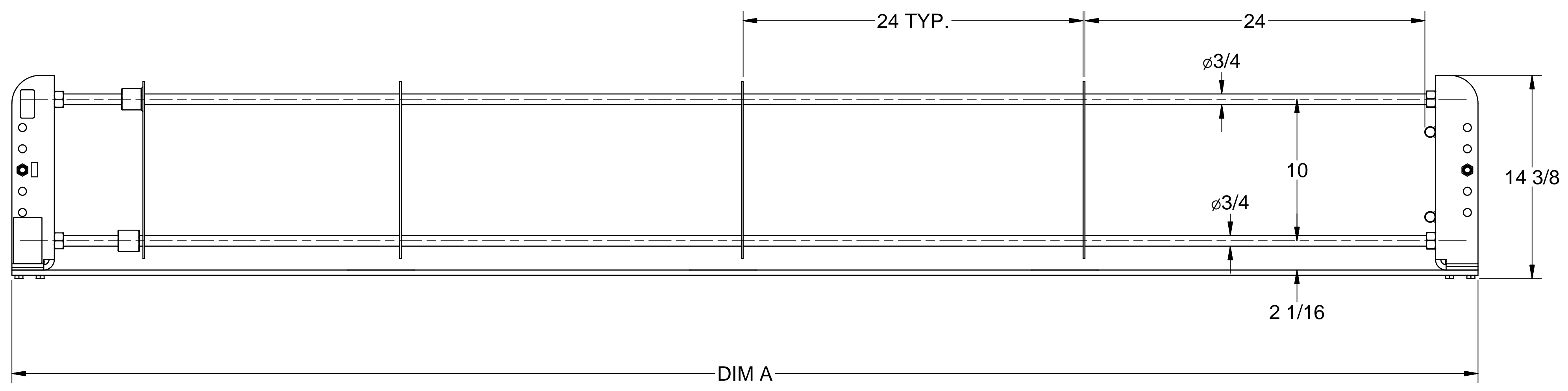
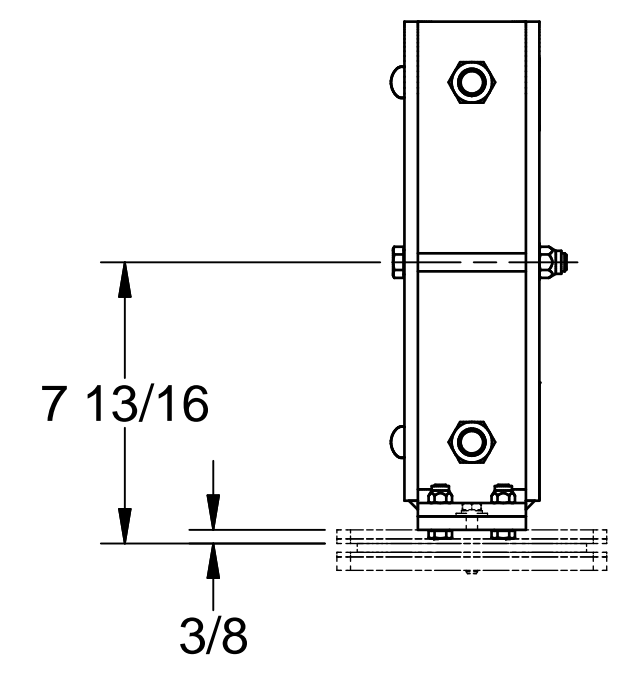


SL8-SP SHOWN



	SL3-SP	SL4-SP	SL5-SP	SL6-SP	SL7-SP	SL8-SP	SL9-SP	SL10-SP	SL11-SP	SL12-SP	SL13-SP
ARBOR WEIGHT - LBS.	55	61	70	77	85	92	100	107	114	121	128
GROSS WEIGHT 4 IN BRICKS - LBS. *	386.6	573.6	750.6	926.6	1102.6	1277.6	1453.6	1629.6	1804.6	1979.6	2154.6
GROSS WEIGHT 6 IN BRICKS - LBS. *	569.6	851.6	1121.6	1388.6	1657.6	1925.6	2194.6	2461.6	2729.6	2997.6	3265.6
DIM A - INCHES	43 1/2	55 1/2	67 1/2	79 1/2	91 1/2	103 1/2	115 1/2	127 1/2	139 1/2	151 1/2	163 1/2

\* INCLUDES STANDARD GUIDE SHOES (8.6 LBS).

<small>TOLERANCES UNLESS OTHERWISE SPECIFIED  X ± .050  XX ± .030  XXX ± .010  FRAC. ± .116  ANG. ± 1°  FINISHED HOLES  FRAC. ± .102  REMOVE ALL BURRS  DO NOT SCALE DRAWING</small>	<small>DESCRIPTION</small> <b>SIDE-LOADING SINGLE PURCHASE ARBOR</b> <small>MODEL</small> <b>SL SP SERIES</b>	<small>FINISH</small>  <small>TREAT</small>  <small>SCALE</small> <b>VARIES</b> <small>NTS</small>	<small>WEIGHT</small> <b>VARIES</b> <small>SCALE</small>  <small>DRAWN BY</small> <b>JRW</b> <small>DATE</small> <b>1/8/2020</b>	<small>REVISION</small> <table border="1"> <tr> <th>REV</th> <th>DATE</th> <th>ECN BY</th> <th>DESCRIPTION</th> </tr> <tr> <td> </td> <td> </td> <td> </td> <td> </td> </tr> </table>	REV	DATE	ECN BY	DESCRIPTION					<b>THERN</b> INC. <small>5712 INDUSTRIAL PARK ROAD  P.O. BOX 347  WINONA, MN 55987  PHONE 1-800-454-2996  FAX 1-507-454-5292</small>	<small>PART NO</small> <b>A26840</b> <small>SHEET</small> <b>1</b> <small>OF</small> <b>2</b>
	REV	DATE	ECN BY	DESCRIPTION										
<small>THIS PRINT IS THE PROPERTY OF THERN, INC. AND MUST NOT BE REPRODUCED EITHER IN FULL OR IN PART WITHOUT WRITTEN APPROVAL BY THERN, INC.</small>			<small>REVISION</small>											