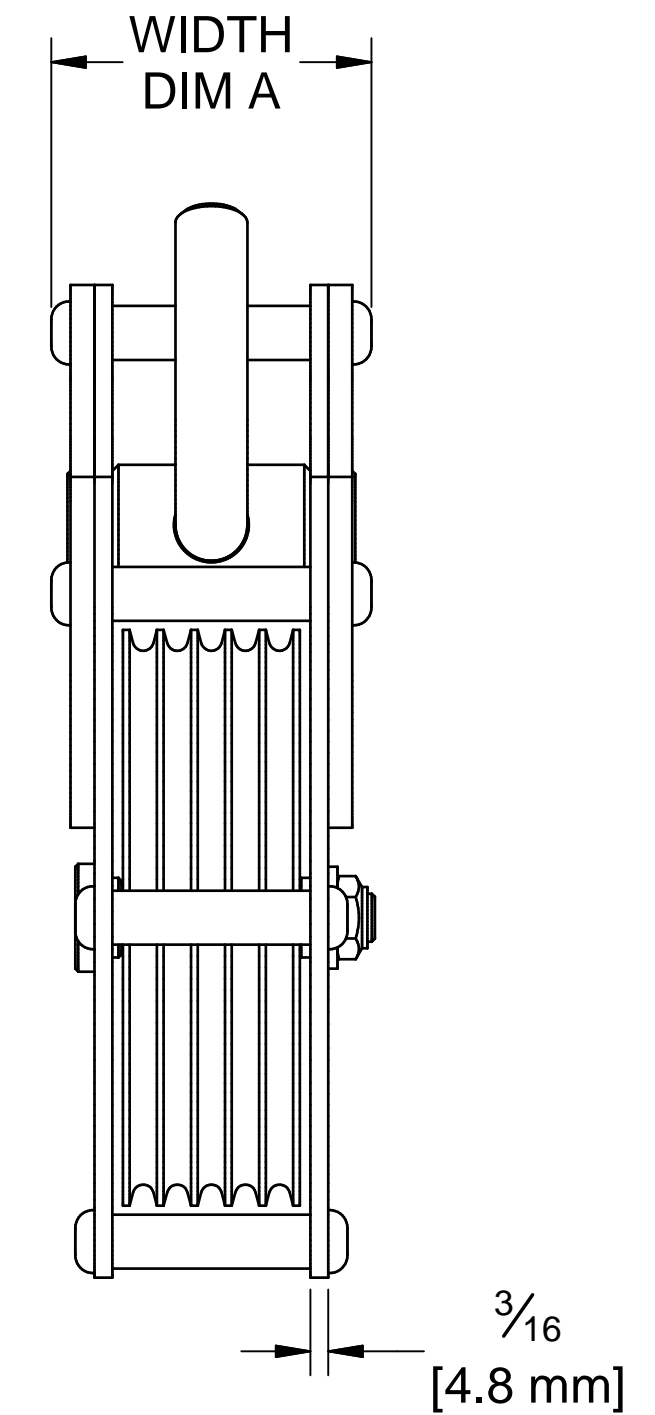
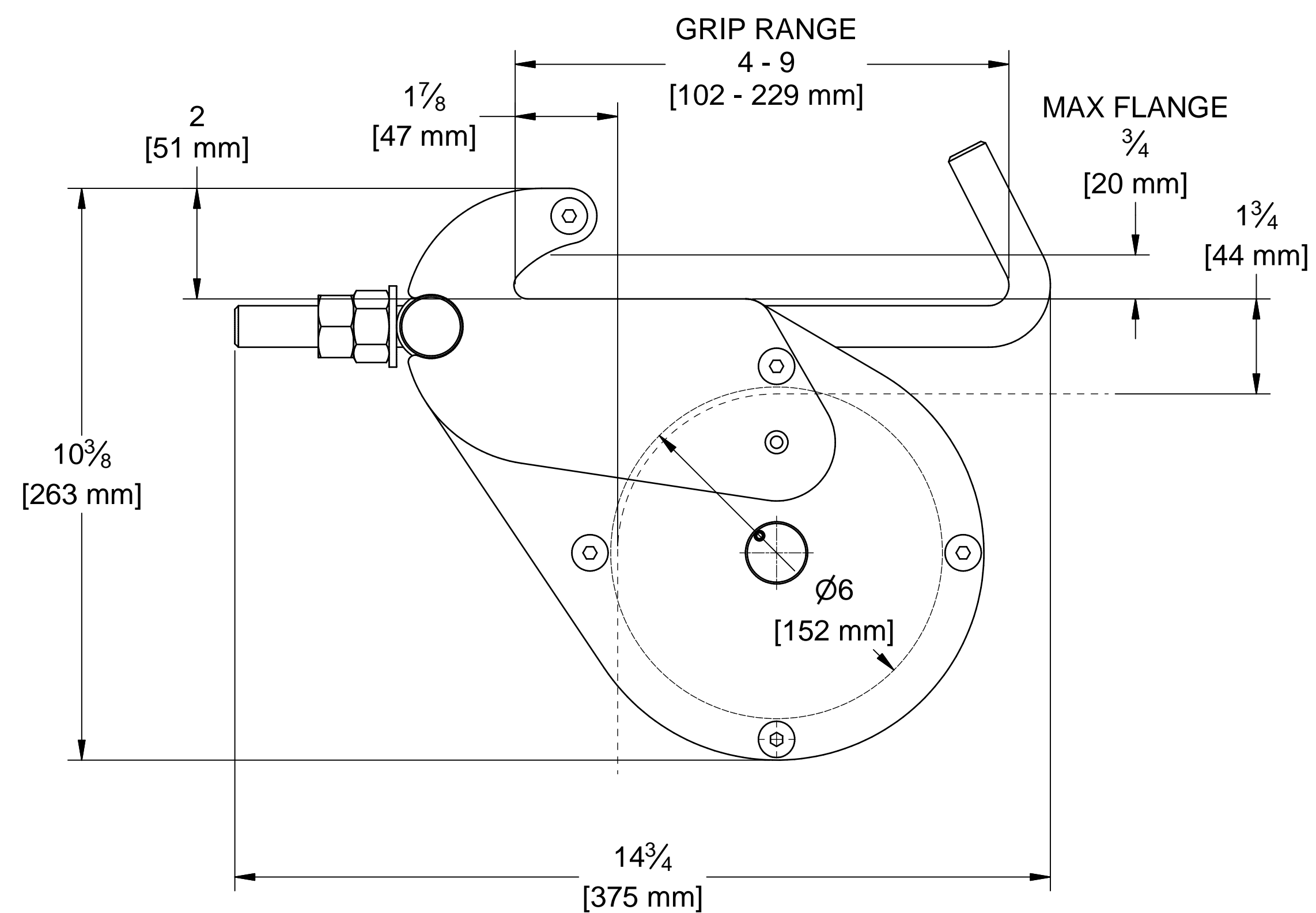


MODEL	CAPACITY	DIM A	WEIGHT
LB6-F1N19	525 LBS	2.50 [64mm]	16.19 LBS
LB6-F2N19	525 LBS	2.50 [64mm]	16.16 LBS
LB6-F3N19	525 LBS	2.69 [69mm]	16.36 LBS
LB6-F4N19	525 LBS	2.91 [74mm]	16.65 LBS
LB6-F5N19	525 LBS	3.34 [85mm]	17.25 LBS
LB6-F6N19	525 LBS	3.78 [96mm]	17.86 LBS
LB6-F7N19	525 LBS	4.22 [107mm]	18.47 LBS
LB6-F8N19	525 LBS	4.66 [119mm]	19.08 LBS
LB6-F9N19	525 LBS	4.66 [119mm]	19.05 LBS
LB6-F1S25	525 LBS	2.50 [64mm]	22.39 LBS
LB6-F2S25	525 LBS	2.50 [64mm]	22.15 LBS

L - LOFT
 B - BLOCK
 # - SHEAVE DIAMETER
 -
 F - BEAM FLANGE MOUNTING
 # - NUMBER OF GROOVES
 N - SHEAVE MATERIAL (N=NYLATRON, S=STEEL)
 # - ROPE SIZE



NOTES:
 1. MAXIMUM RATED CAPACITY :
 - MAY EXCEED CAPACITY OF THE ROPE.
 USE ROPE MANUFACTURER'S RATING AND SAFETY FACTOR TO DETERMINE LOAD LIMIT.
 - WHEN PROPERLY INSTALLED, MAINTAINED AND OPERATED.
 - IS BASED ON CABLES WRAPPED 90 DEGREES AROUND THE SHEAVE.
 2. CONTACT FACTORY FOR NON-STANDARD REQUIREMENTS.

DRAWINGS FOR PRODUCTION APPROVAL. MANUFACTURE WILL NOT BEGIN UNTIL APPROVED DRAWING IS RETURNED TO THERN INC.		COMPANY NAME _____ PRINT NAME _____ SIGNATURE _____ DATE _____	
DIMENSIONAL DRAWING		 5713 INDUSTRIAL PARK ROAD P.O. BOX 347 WINONA, MN 55987 PHONE 1-507-454-2996 FAX 1-507-454-5292	
TOLERANCES UNLESS OTHERWISE SPECIFIED FRAC. ± 1" ANG. ± 5° DO NOT SCALE DRAWING	MODEL 6" LOFT BLOCK	WEIGHT SEE TABLE	PART NO. D4467
THIS PRINT IS THE PROPERTY OF THERN, INC. AND MUST NOT BE REPRODUCED EITHER IN FULL OR IN PART WITHOUT WRITTEN APPROVAL BY THERN, INC.		DRAWN BY JCA	SCALE 1=2
		DATE 9/28/2015	SHEET 2 OF 2