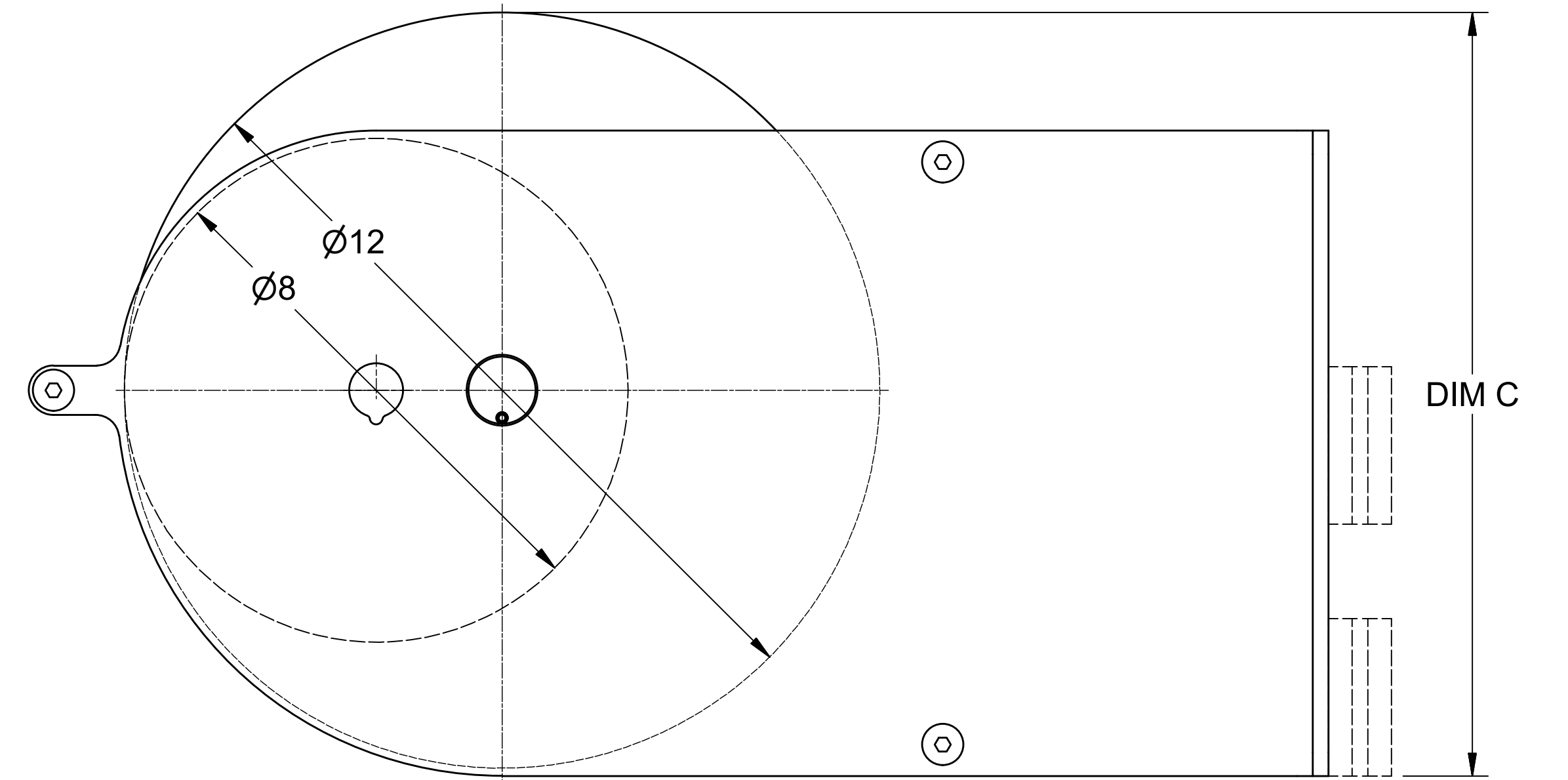
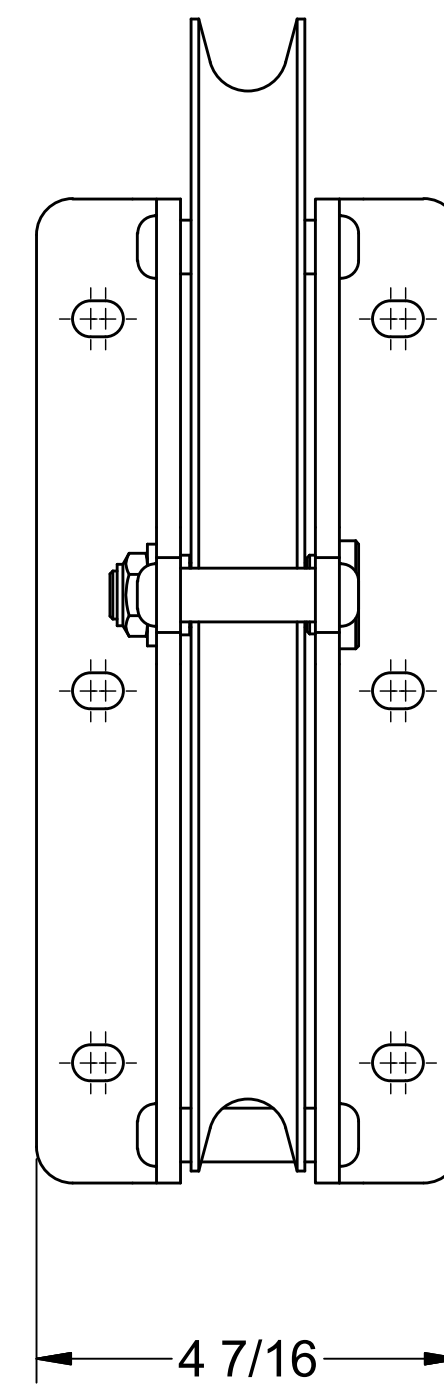
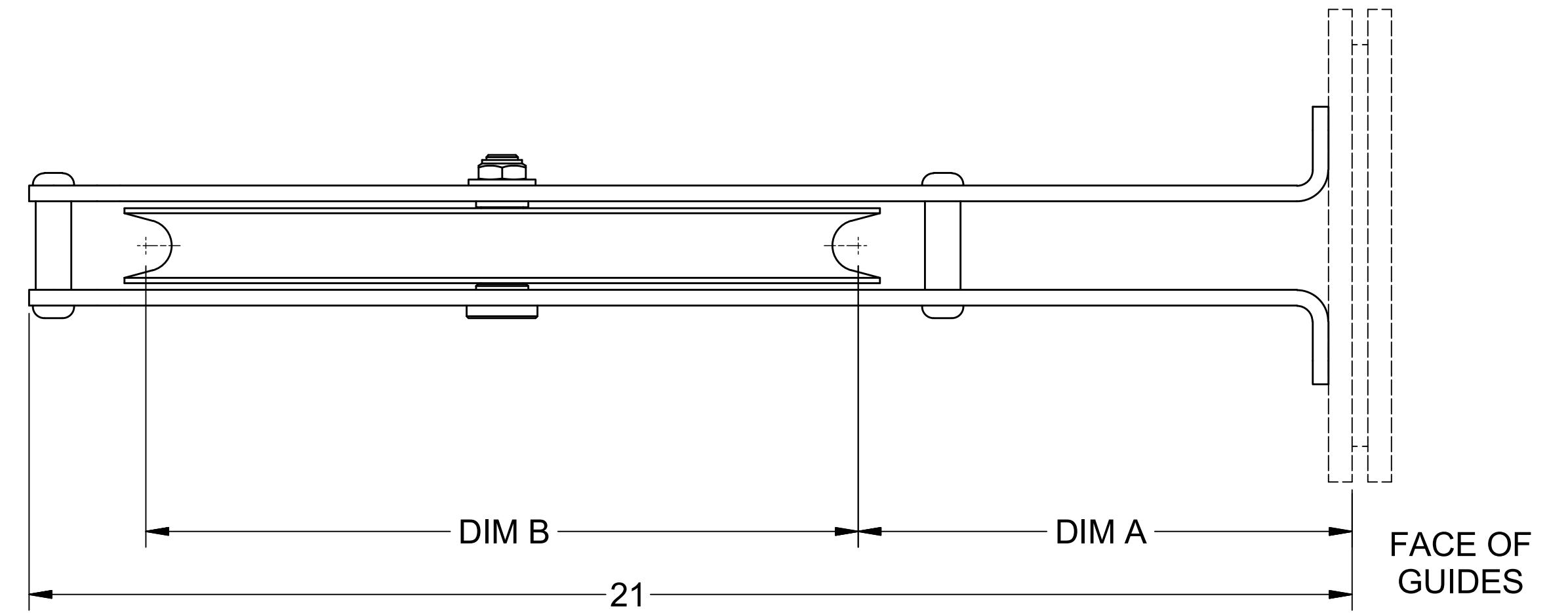


MODEL	ROPE SIZE	DIM A	DIM B	DIM C	WEIGHT *
FB 8 -W1N75	Ø3/4	11 7/8	7 1/4	10 1/4	41.8 LBS
FB 8 -W1S75	Ø3/4	11 7/8	7 1/4	10 1/4	52.3 LBS
FB12-W1N75	Ø3/4	7 7/8	11 1/4	12 1/8	44.5 LBS
FB12-W1S75	Ø3/4	7 7/8	11 1/4	12 1/8	71.4 LBS
FB 8 -W1N100	Ø1	12	7	10 1/4	41.9 LBS
FB 8 -W1S100	Ø1	12	7	10 1/4	52.9 LBS
FB12-W1N100	Ø1	8	11	12 1/8	45.0 LBS
FB12-W1S100	Ø1	8	11	12 1/8	74.4 LBS

NOTES:

- * APPROXIMATE WEIGHT INCLUDES STANDARD GUIDE SHOES (8" SPACING, 11.0 LBS).
- CONTACT FACTORY FOR NON-STANDARD GROOVE OR MOUNTING REQUIREMENTS.
- Ø12" SHEAVE RECOMMENDED FOR SINGLE PURCHASE SYSTEMS.
- Ø 8" SHEAVE RECOMMENDED FOR DOUBLE PURCHASE SYSTEMS.



DRAWINGS FOR PRODUCTION APPROVAL. MANUFACTURE WILL NOT BEGIN UNTIL APPROVED DRAWING IS RETURNED TO THERN INC.		COMPANY NAME _____ PRINT NAME _____ SIGNATURE _____		DATE _____
DESCRIPTION FLOOR BLOCK - WEIGHTED		MODEL FB-W SERIES		FINISH
TOLERANCES UNLESS OTHERWISE SPECIFIED FRAC. ± 1" ANG. ± 5° DO NOT SCALE DRAWING		WEIGHT SEE TABLE	TREAT	SCALE NTS
THIS PRINT IS THE PROPERTY OF THERN, INC. AND MUST NOT BE REPRODUCED EITHER IN FULL OR IN PART WITHOUT WRITTEN APPROVAL BY THERN, INC.		DRAWN BY JCA	DATE 3/3/2014	PART NO. C5236
RETURN TO: THERN INC. 6712 INDUSTRIAL PARK ROAD WINONA, MN 55987 PHONE 1-507-454-2996 FAX 1-507-454-5282		SHEET OF 1		