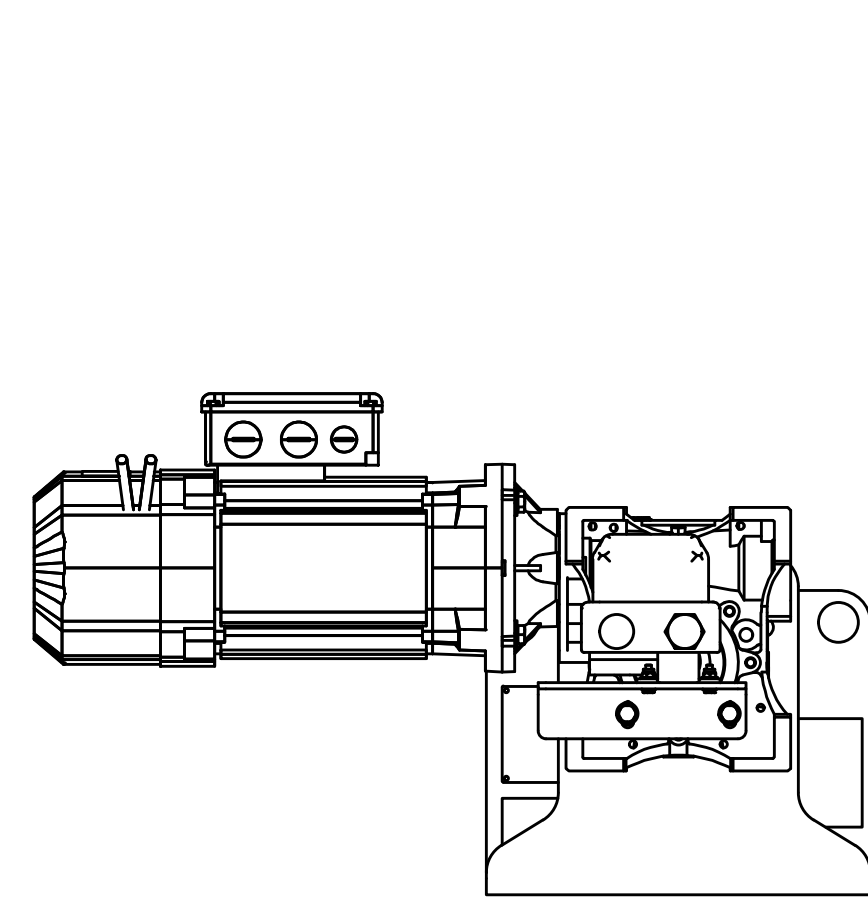


ORDER SPECIFICATION

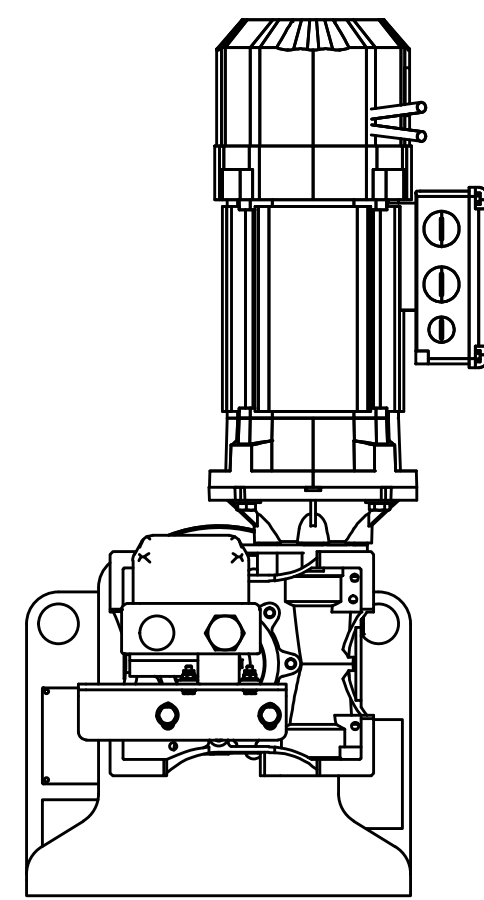
MODEL	
VOLTAGE	
DIM A	
MOTOR POSITION	

STANDARD SPECIFICATIONS
CONTACT FACTORY FOR ANY SPECIAL REQUIREMENTS

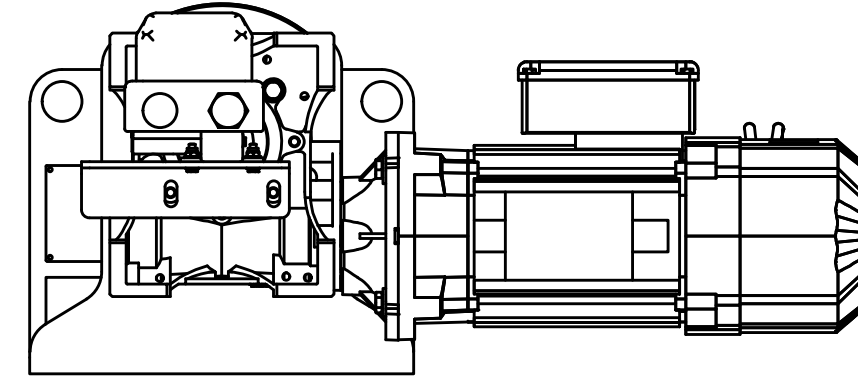
MODEL	RD5-SERIES			RD8-SERIES		
	RD5-115V	RD5-208V	RD5-460V	RD8-115V	RD8-208V	RD8-460V
MODEL - VOLTAGE	RD5-115V	RD5-208V	RD5-460V	RD8-115V	RD8-208V	RD8-460V
* MAX LENGTH (DIM A)	34 FT	34 FT	34 FT	46 FT	46 FT	46 FT
* WORKING LOAD LIMIT	500 LBS	500 LBS	500 LBS	500 LBS	500 LBS	500 LBS
STANDARD MOTOR	1.3 HP, 115V, 1Ø	1.0 HP, 208V, 3Ø	1.0 HP, 460V, 3Ø	1.3 HP, 115V, 1Ø	1.0 HP, 208V, 3Ø	1.0 HP, 460V, 3Ø
STANDARD GEAR RATIO	60 : 1	60 : 1	60 : 1	100 : 1	100 : 1	100 : 1
DRUM SPEED	42 FPM	42 FPM	42 FPM	40 FPM	40 FPM	40 FPM
LIMIT SWITCH	4 POSITION	4 POSITION	4 POSITION	4 POSITION	4 POSITION	4 POSITION
BRAKE	ELECTRIC	ELECTRIC	ELECTRIC	ELECTRIC	ELECTRIC	ELECTRIC
DIM A	SPECIFY	SPECIFY	SPECIFY	SPECIFY	SPECIFY	SPECIFY
DIM B	Ø5.56	Ø5.56	Ø5.56	Ø8.63	Ø8.63	Ø8.63
DIM C	12.56	14.62	14.62	12.56	14.62	14.62
DIM D	15.50	15.66	15.66	15.50	15.66	15.66
BASE WEIGHT	127 LBS	121 LBS	121 LBS	136 LBS	130 LBS	130 LBS
PLUS WEIGHT PER FT (DIM A)	5.0 LBS	5.0 LBS	5.0 LBS	9.8 LBS	9.8 LBS	9.8 LBS



MOTOR HORIZONTAL TO THE RIGHT AS SHOWN IN ASSEMBLY VIEWS

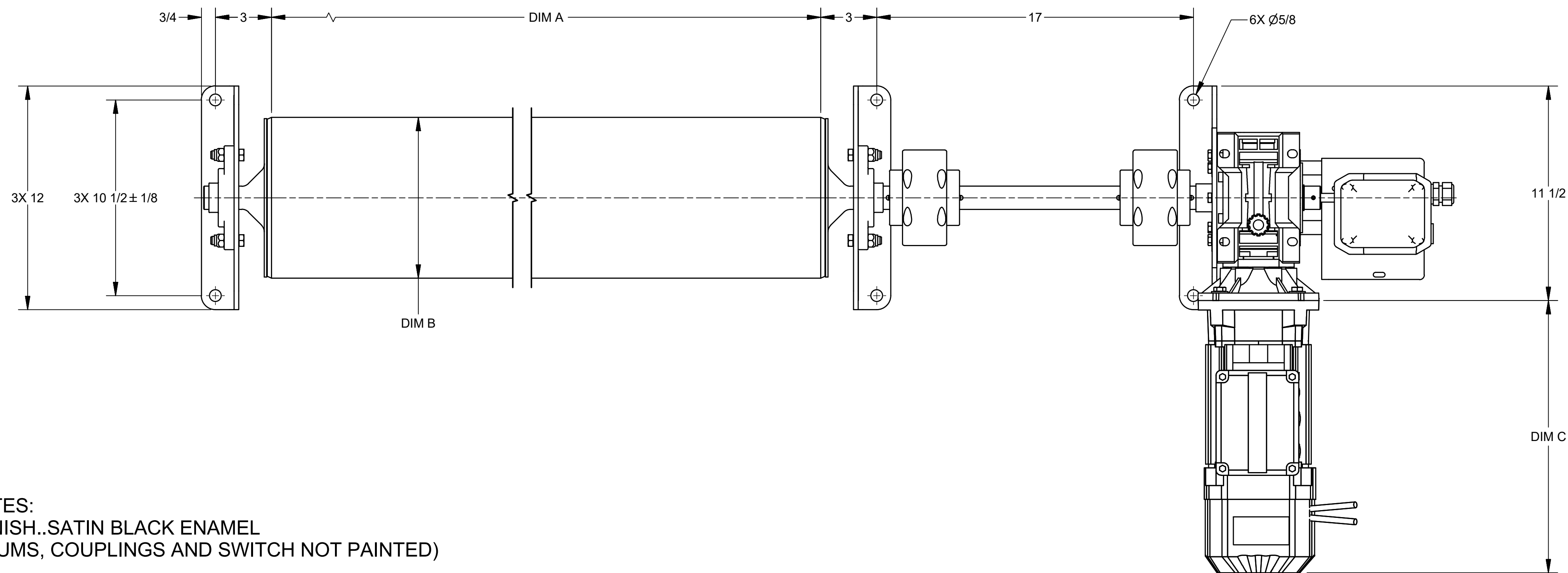
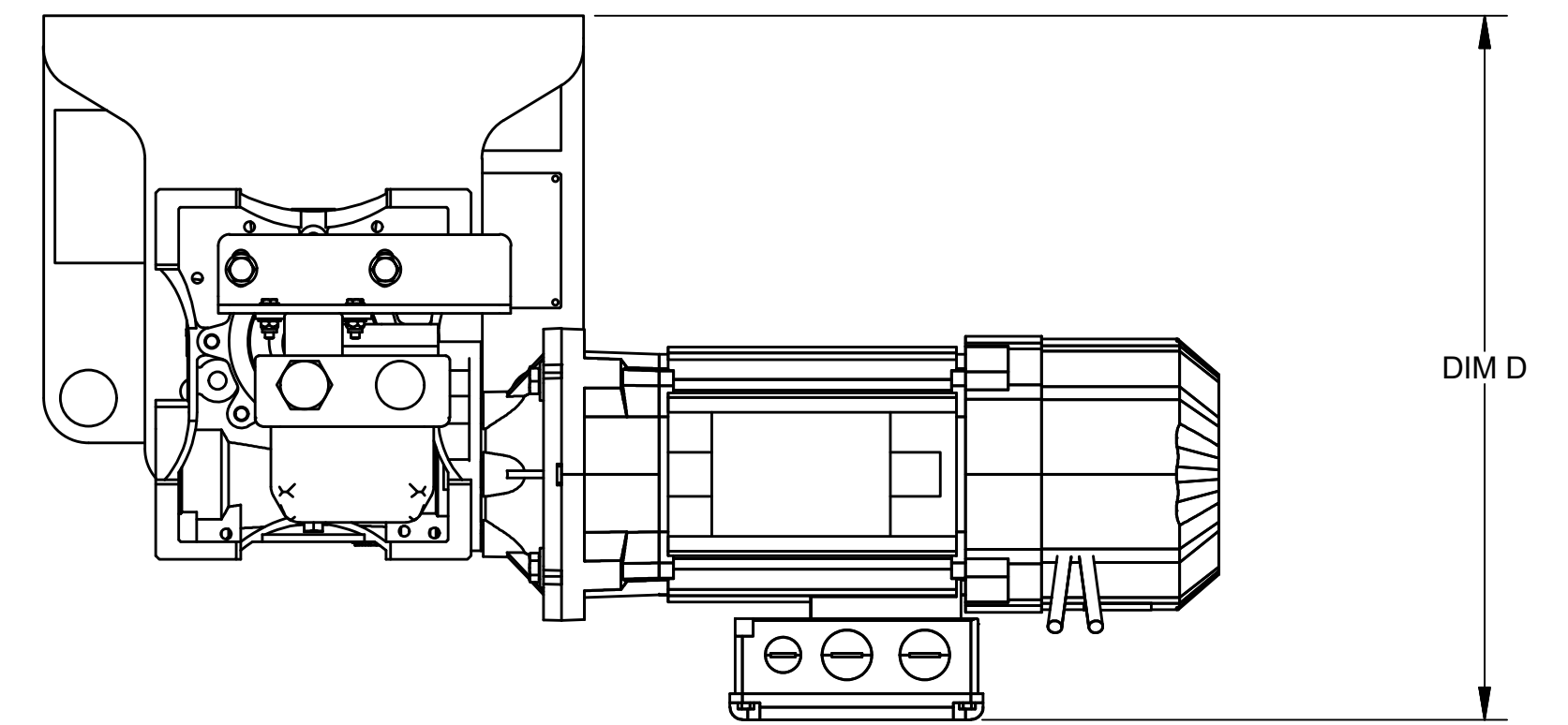
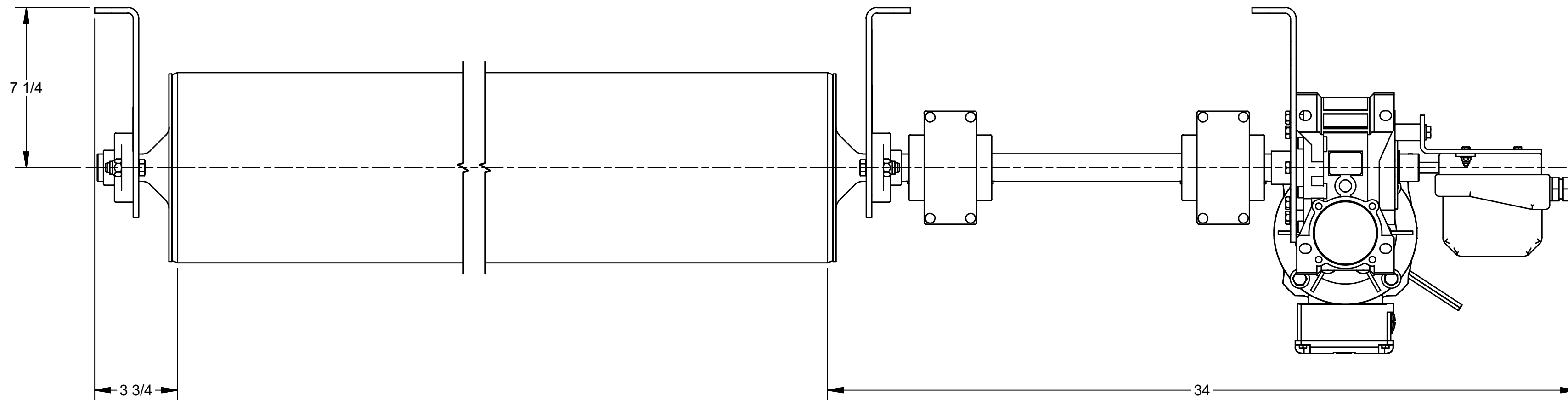


MOTOR VERTICAL

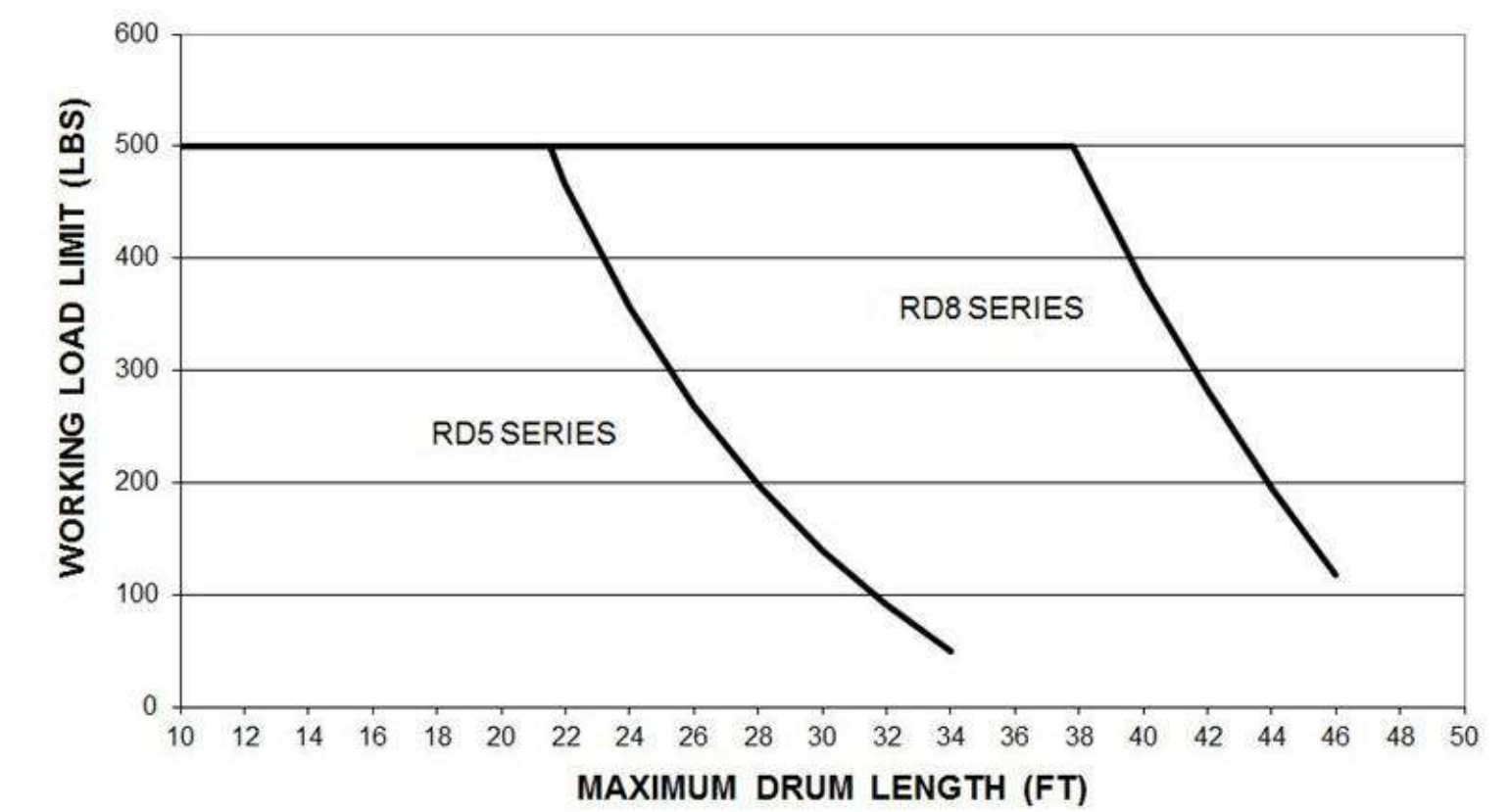


MOTOR ROTATED 180 DEG HORIZONTAL TO THE RIGHT

* LENGTH AND WORKING LOAD LIMITS VARY BASED ON APPLICATION. SEE LENGTH VS. LOAD CAPACITY CHART OR CONTACT FACTORY.



LENGTH VS. LOAD CAPACITY
(EVENLY DISTRIBUTED LOAD, 0.3% DEFLECTION)



NOTES:
FINISH..SATIN BLACK ENAMEL
(DRUMS, COUPLINGS AND SWITCH NOT PAINTED)

DRAWINGS FOR PRODUCTION APPROVAL. MANUFACTURE WILL NOT BEGIN UNTIL APPROVED DRAWING IS RETURNED TO THERN INC.

COMPANY NAME _____
PRINT NAME _____
SIGNATURE _____ DATE _____

THIS PRINT AND THE INFORMATION HEREIN IS THE PROPERTY OF THERN INC AND MUST NOT BE REPRODUCED EITHER IN FULL OR IN PART WITHOUT WRITTEN APPROVAL BY THERN INC.

MODEL	RD8 & RD5 SERIES	INCH UNITS UNLESS OTHERWISE SPECIFIED. DO NOT SCALE DRAWING.	TOLERANCES UNLESS SPECIFIED: FRAC ± 1" ANGLE ± 9°
SCALE	1/4	THIRD ANGLE PROJECTION	
DATE	4/4/2017	DIMENSIONAL DRAWING	
DRAWN BY	JRW	A20062	SHEET 1 OF 2
REFER TO	SEE CHART		5712 INDUSTRIAL PARK ROAD WINONA, MN 55987 PHONE 1-507-454-2996 WWW.THERN.COM