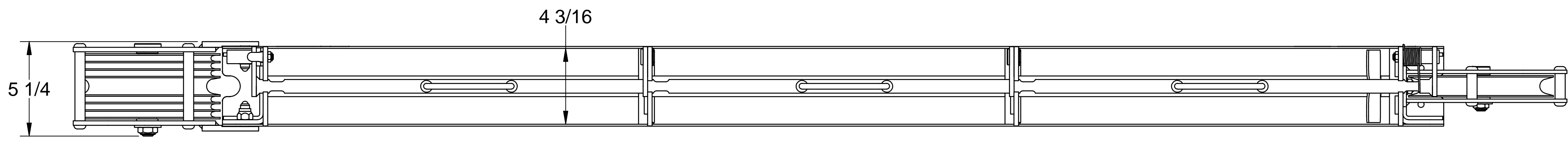
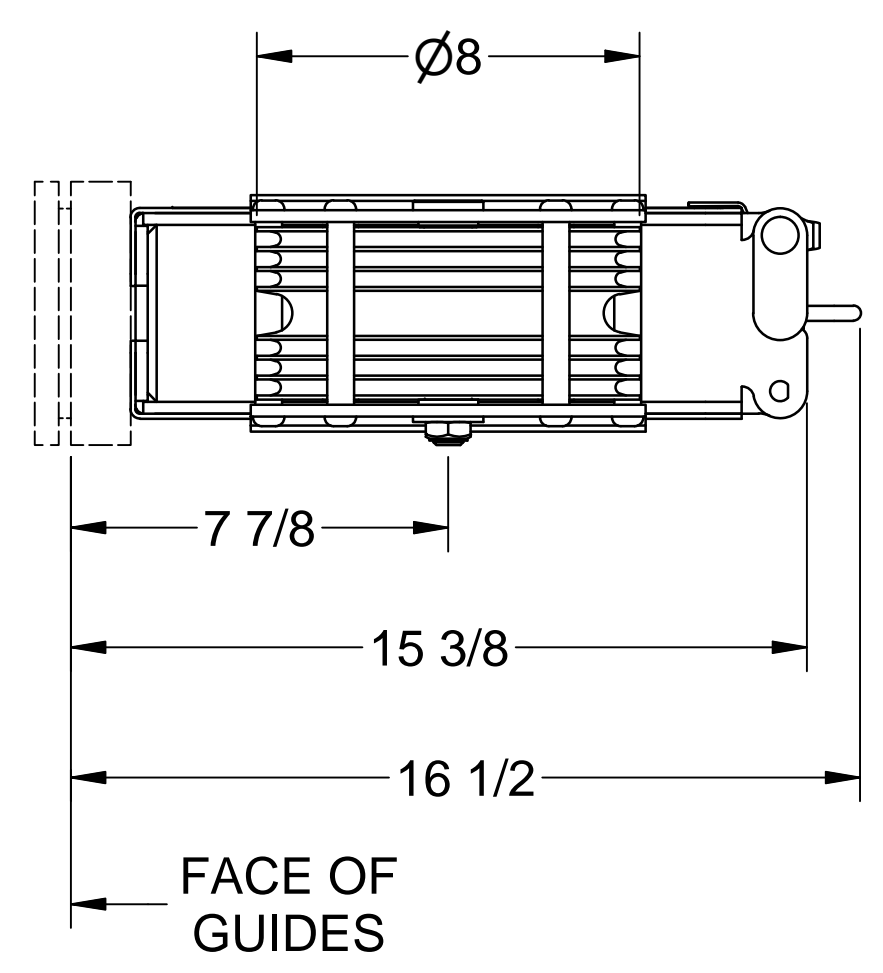


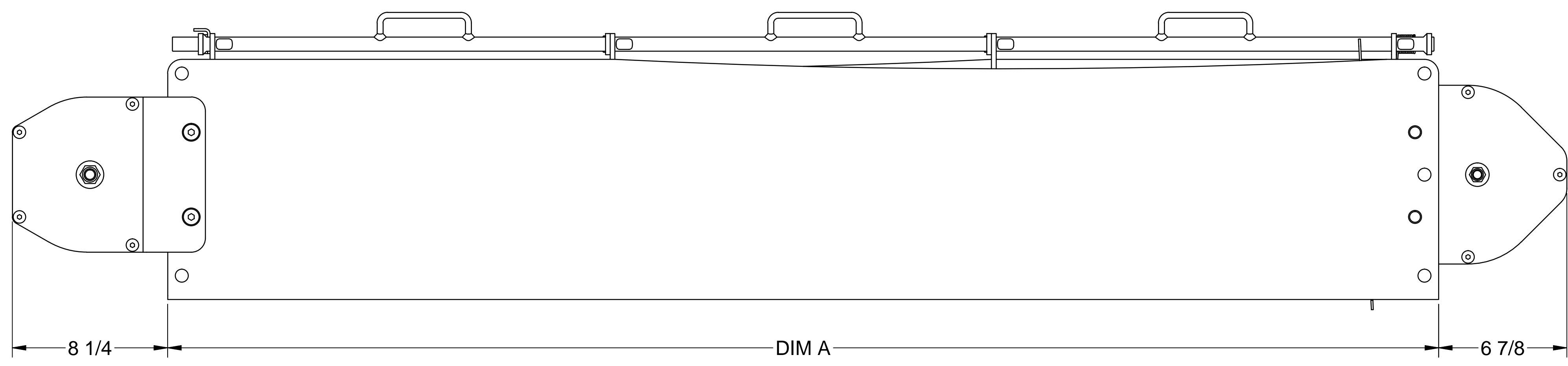
8 7 6 5 4 3 2 1

D

D



FL4-D06 SHOWN



C

C

B

B

B

B

A

A

	FL4-D04	FL4-D06	FL4-D08	FL4-D10
ARBOR WEIGHT - LBS. *	109	137	165	193
BRICK WEIGHT - LBS.	514	841	1167	1494
GROSS WEIGHT - LBS. *	623	978	1332	1687
DIM A - INCHES	43 1/4	67 1/2	91 3/4	116

\* INCLUDES STANDARD GUIDE SHOES (11 LBS).

THIS PRINT IS THE PROPERTY OF THERN AND MUST NOT BE REPRODUCED EITHER IN FULL OR IN PART WITHOUT WRITTEN APPROVAL BY THERN.		<b>TSE THERN STAGE EQUIPMENT</b>		5712 INDUSTRIAL PARK ROAD WINONA, MN 55987 PHONE 1-800-553-2204 FAX 1-507-454-5282	
DESCRIPTION <b>BRICKHOUSE ARBOR</b>			TOLERANCES UNLESS SPECIFIED FRAC. ± 1" ANGLE ± 5" DO NOT SCALE DRAWING		
MODEL <b>FL4-D SERIES</b>			DRAWING NUMBER <b>D4150</b>		
DRAWN BY <b>JCA</b>	DATE <b>6/5/2014</b>	WEIGHT <b>N/A</b>	SCALE <b>NTS</b>	REVISION	SHEET 1 OF 1

8 7 6 5 4 3 2 1