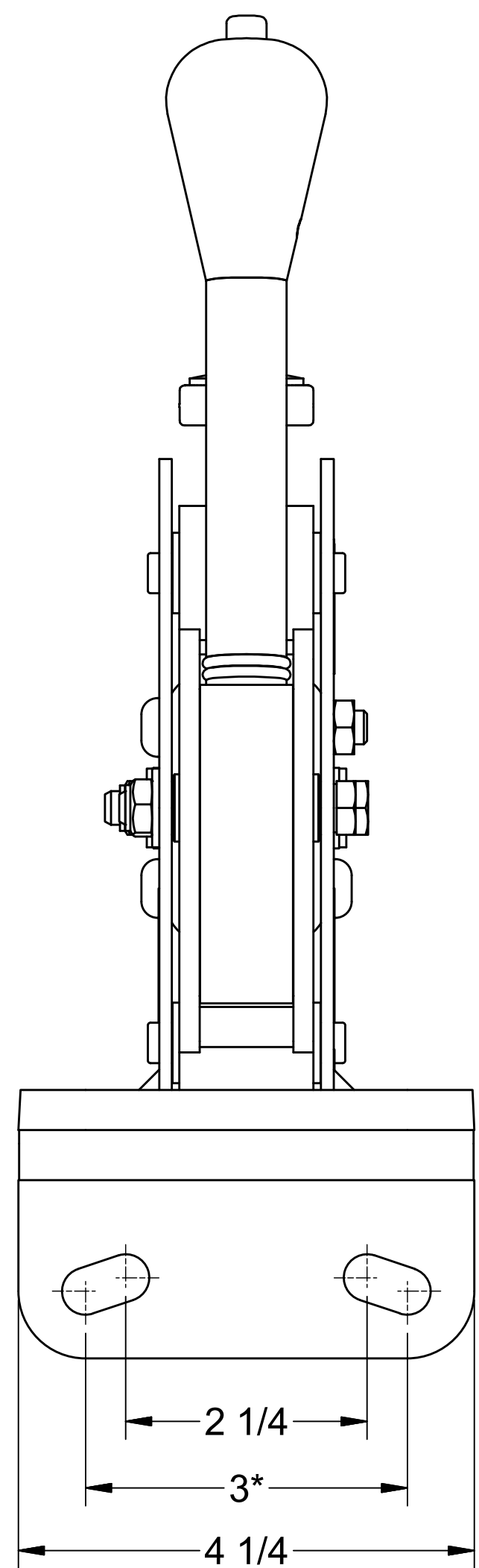
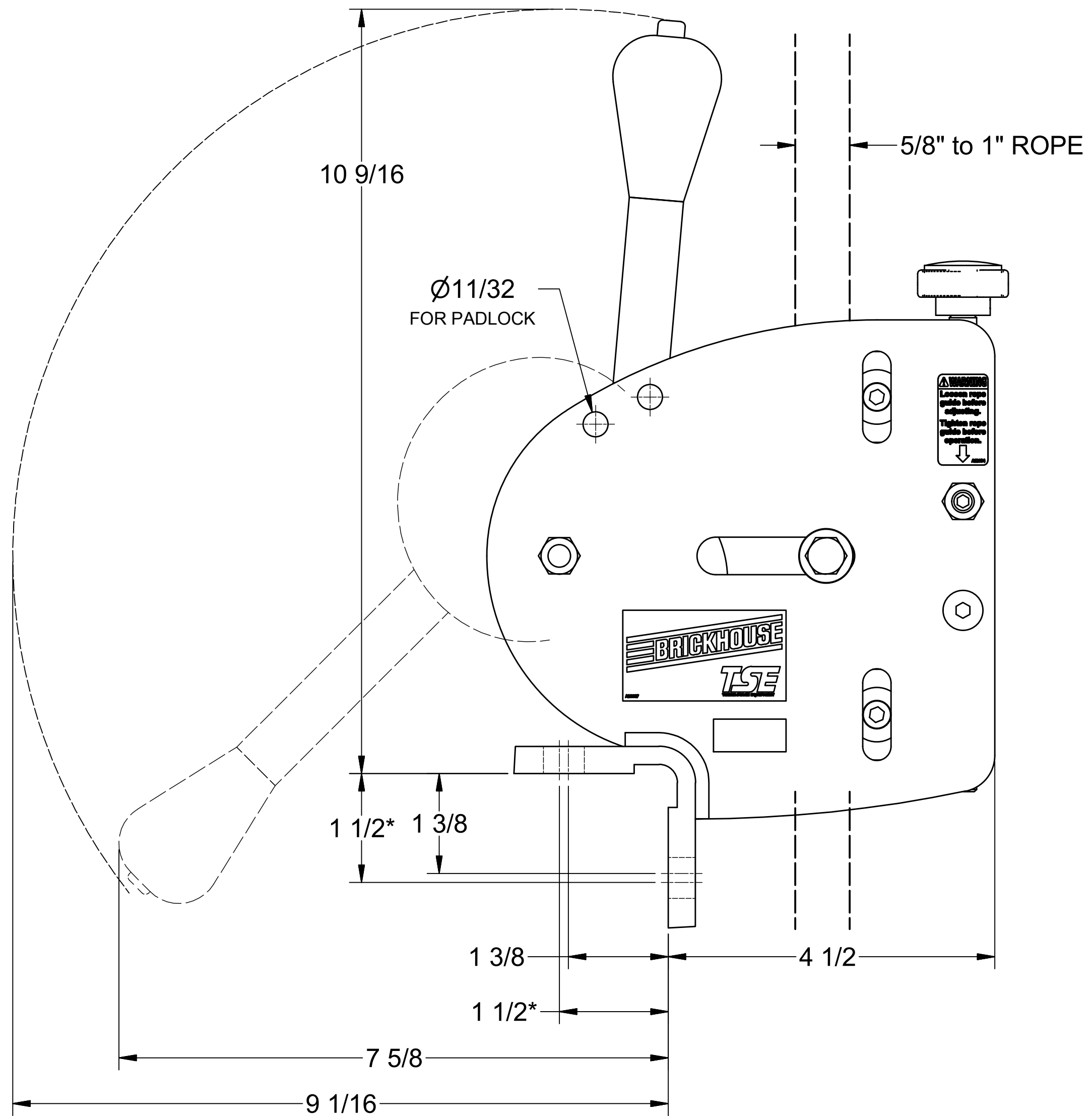


4 3 2 1

D  
C  
B  
A



MOUNTING HARDWARE SUPPLIED SEPERATELY.



**NOTE:** ROPE LOCKS ARE NOT INTENDED TO HOLD AN IMBALANCE OF MORE THAN 50 LBS.

\*SECONDARY MOUNTING PATTERN. CONTACT FACTORY FOR NON-STANDARD MOUNTING REQUIREMENTS.

THIS PRINT IS THE PROPERTY OF THERN AND MUST NOT BE REPRODUCED EITHER IN FULL OR IN PART WITHOUT WRITTEN APPROVAL BY THERN.		<b>TSE</b> THERN STAGE EQUIPMENT		5712 INDUSTRIAL PARK ROAD WINONA, MN 55987 PHONE 1-800-553-2204 FAX 1-507-454-5282	
DESCRIPTION <b>DIMENSIONAL DRAWING</b>			TOLERANCES UNLESS SPECIFIED FRAC. ± 1" ANGLE ± 5" DO NOT SCALE DRAWING		
MODEL <b>RL2-50</b>			DRAWING NUMBER <b>C5314</b>		
DRAWN BY JCA	DATE 9/18/2014	WEIGHT 9.8 LBS	SCALE NTS	REVISION -	SHEET 1 OF 1

4 3 2 1