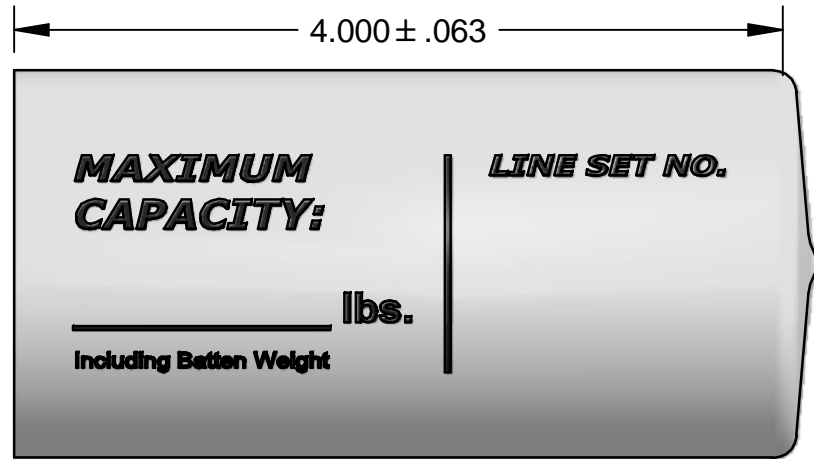
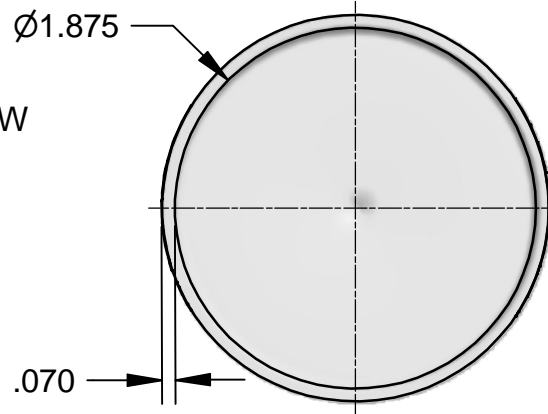


PART NO <b>A10419</b>	ITEM	PART NO	QTY	DESCRIPTION	MATL VINYL	WEIGHT .10
--------------------------	------	---------	-----	-------------	---------------	---------------

**NOTES:**

- VINYL COLOR: YELLOW
- TEXT COLOR: BLACK



**MAXIMUM CAPACITY:**  
\_\_\_\_\_ lbs.  
Including Batten Weight

**LINE SET NO.**



**TSE THERN STAGE EQUIPMENT**  
www.thernstage.com

REV.	DATE	ECN BY	DESCRIPTION	REVISION

TOLERANCES UNLESS OTHERWISE SPECIFIED  
.X ± .050  
.XX ± .030  
.XXX ± .010  
FRAC. ± 1/16  
ANG. ± 1'  
FINISHED HOLES  
FRAC. ± 1/32  
REMOVE ALL BURRS  
DO NOT SCALE DRAWING

DESCRIPTION <b>BATTEN END CAP</b>			
MODEL <b>1-1/2" PIPE</b>		FINISH	
WEIGHT <b>.10 LBS</b>		TREAT	
DRAWN BY <b>JCA</b>		SCALE <b>1 : 1</b>	DATE <b>8/11/2009</b>
THIS PRINT IS THE PROPERTY OF THERN, INC. AND MUST NOT BE REPRODUCED EITHER IN FULL OR IN PART WITHOUT WRITTEN APPROVAL BY THERN, INC.			



**THERN** INC  
5712 INDUSTRIAL PARK ROAD  
P.O. BOX 347  
WINONA, MN 55987  
PHONE 1-507-454-2996  
FAX 1-507-454-5282

PART NO <b>A10419</b>	SHEET 1 OF 1
--------------------------	-----------------