

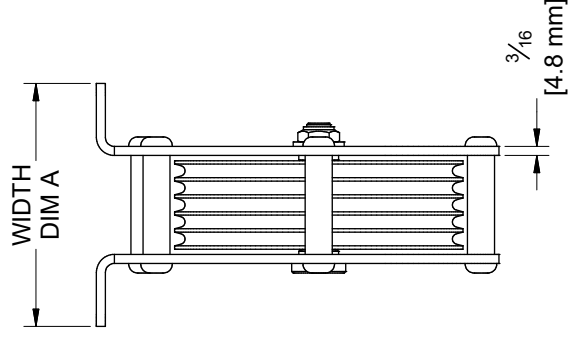
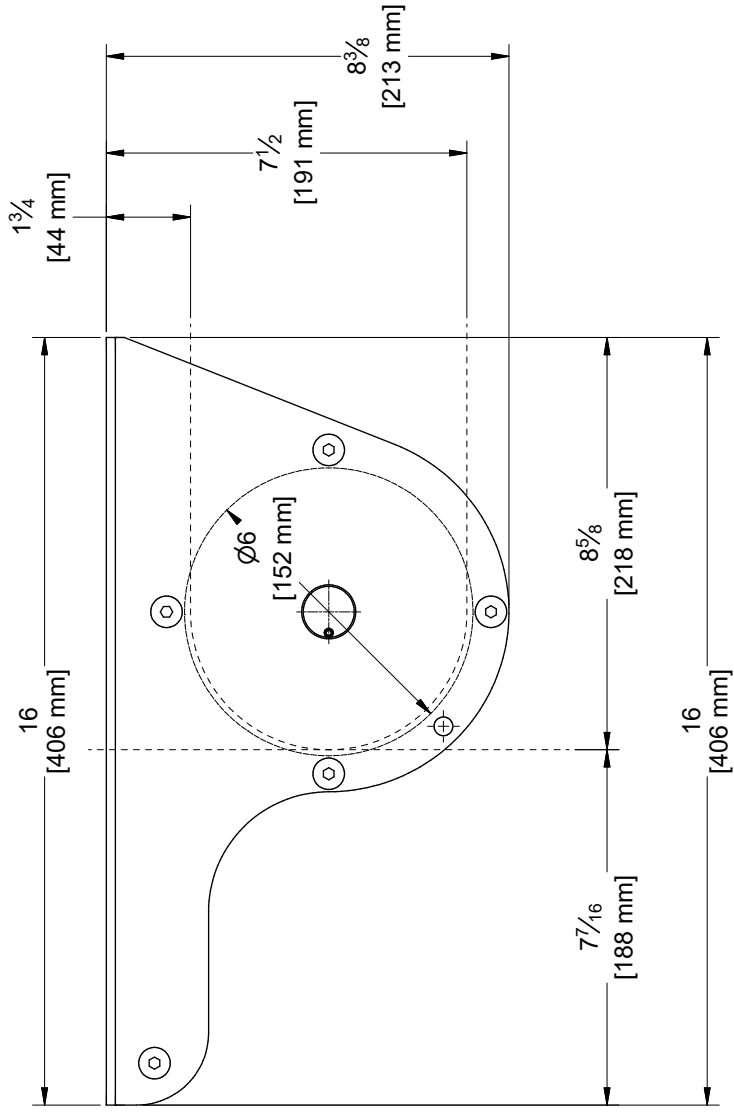
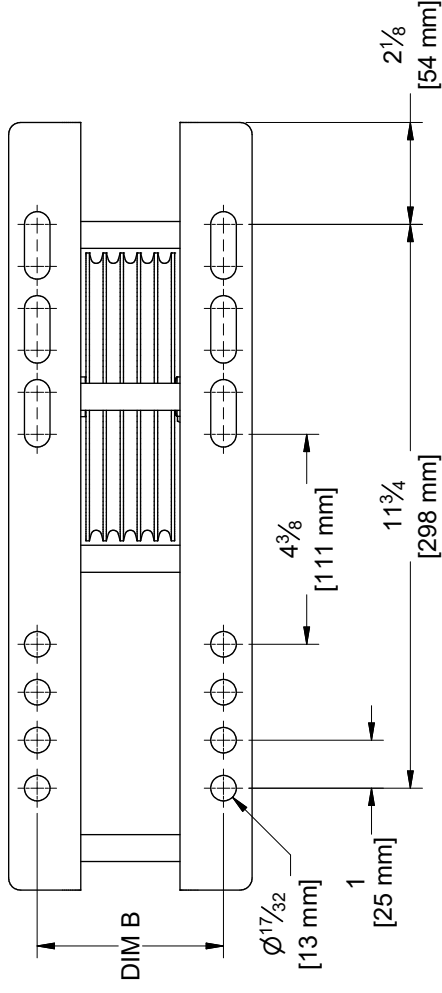
MODEL	CAPACITY	DIM A	DIM B	WEIGHT
LB6-D1N19	525 LBS	4.22 [107mm]	3.03 [77mm]	12.28 LBS
LB6-D2N19	525 LBS	4.22 [107mm]	3.03 [77mm]	12.25 LBS
LB6-D3N19	525 LBS	4.41 [112mm]	3.22 [82mm]	12.45 LBS
LB6-D4N19	525 LBS	4.63 [117mm]	3.44 [87mm]	12.74 LBS
LB6-D5N19	525 LBS	5.06 [129mm]	3.88 [98mm]	13.34 LBS
LB6-D6N19	525 LBS	5.50 [140mm]	4.31 [110mm]	13.95 LBS
LB6-D7N19	525 LBS	4.25 [108mm]	1.50 [38mm]	14.56 LBS
LB6-D8N19	525 LBS	4.69 [119mm]	1.94 [49mm]	15.17 LBS
LB6-D9N19	525 LBS	4.69 [119mm]	1.94 [49mm]	15.14 LBS
LB6-D1S19	525 LBS	4.22 [107mm]	3.03 [77mm]	18.48 LBS
LB6-D2S19	525 LBS	4.22 [107mm]	3.03 [77mm]	18.24 LBS

L - LOFT
 B - BLOCK
 # - SHEAVE DIAMETER

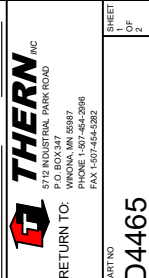
D - UNDERHUNG MOUNTING (TYPICAL)
 # - NUMBER OF GROOVES
 N - SHEAVE MATERIAL (N=NYLATRON, S=STEEL)
 # - ROPE SIZE

NOTES:

- MAXIMUM RATED CAPACITY :
 - MAY EXCEED CAPACITY OF THE ROPE.
 USE ROPE MANUFACTURER'S RATING AND SAFETY FACTOR TO DETERMINE LOAD LIMIT.
 - WHEN PROPERLY INSTALLED, MAINTAINED AND OPERATED.
 - IS BASED ON CABLES WRAPPED 90 DEGREES AROUND THE SHEAVE.
- MOUNTING HARDWARE MUST BE DISTRIBUTED EVENLY.
 - MINIMUM OF 4 ATTACHMENT POINTS.
- CONTACT FACTORY FOR NON-STANDARD REQUIREMENTS.



REV.	DATE	ECN BY	DESCRIPTION	REVISION
DRAWINGS FOR PRODUCTION APPROVAL MANUFACTURE WILL NOT BEGIN UNTIL APPROVED DRAWING IS RETURNED TO THERN, INC.				
COMPANY NAME THERN, INC.			SIGNATURE _____	
PRINT NAME _____			DATE _____	
DIMENSIONAL DRAWING				
DESCRIPTION 6" LOFT BLOCK				
FINISH _____				
TREAT _____				
SCALE 1=2				
DATE 9/28/2015				
PART NO D4465				
RETURN TO: THERN, INC. P.O. BOX 104 WINONA, MN 55987 PHONE 1-877-654-2998 FAX 1-507-454-2921				
TOLERANCES UNLESS OTHERWISE SPECIFIED FRACS ± .005 DECIMALS ± .005 DO NOT SCALE DRAWING				
THIS PRINT IS THE PROPERTY OF THERN, INC. AND MUST NOT BE REPRODUCED EITHER IN FULL OR IN PART WITHOUT WRITTEN APPROVAL BY THERN, INC.				
SEE TABLE				
JCA				



RETURN TO:
THERN, INC.
P.O. BOX 104
WINONA, MN 55987
PHONE 1-877-654-2998
FAX 1-507-454-2921

PART NO
D4465

DATE
9/28/2015

SCALE
1=2

TOLERANCES UNLESS OTHERWISE SPECIFIED
 FRACS ± .005
 DECIMALS ± .005
 DO NOT SCALE DRAWING

THIS PRINT IS THE PROPERTY OF THERN, INC. AND
 MUST NOT BE REPRODUCED EITHER IN FULL OR IN
 PART WITHOUT WRITTEN APPROVAL BY THERN, INC.

SEE TABLE

JCA