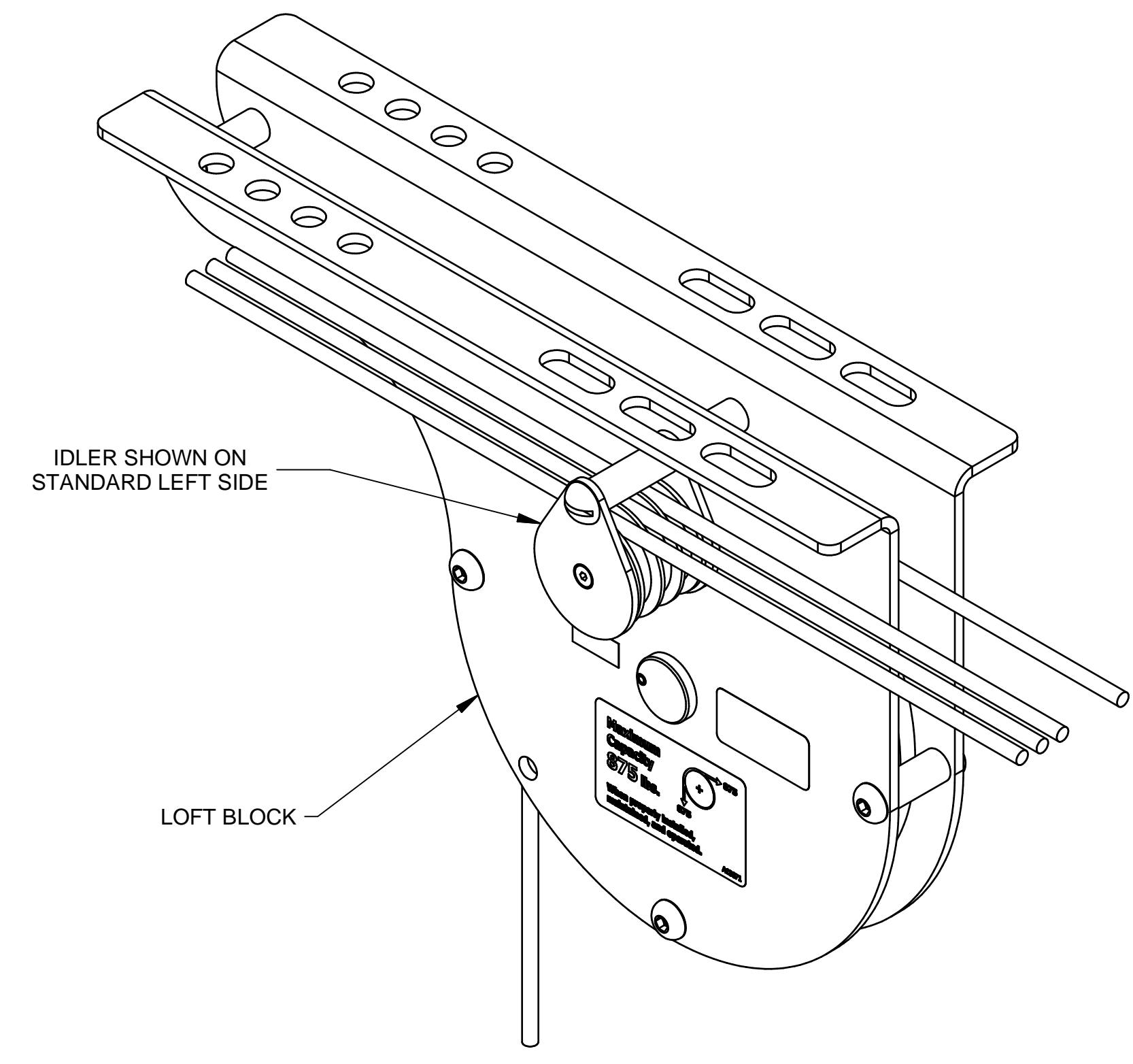


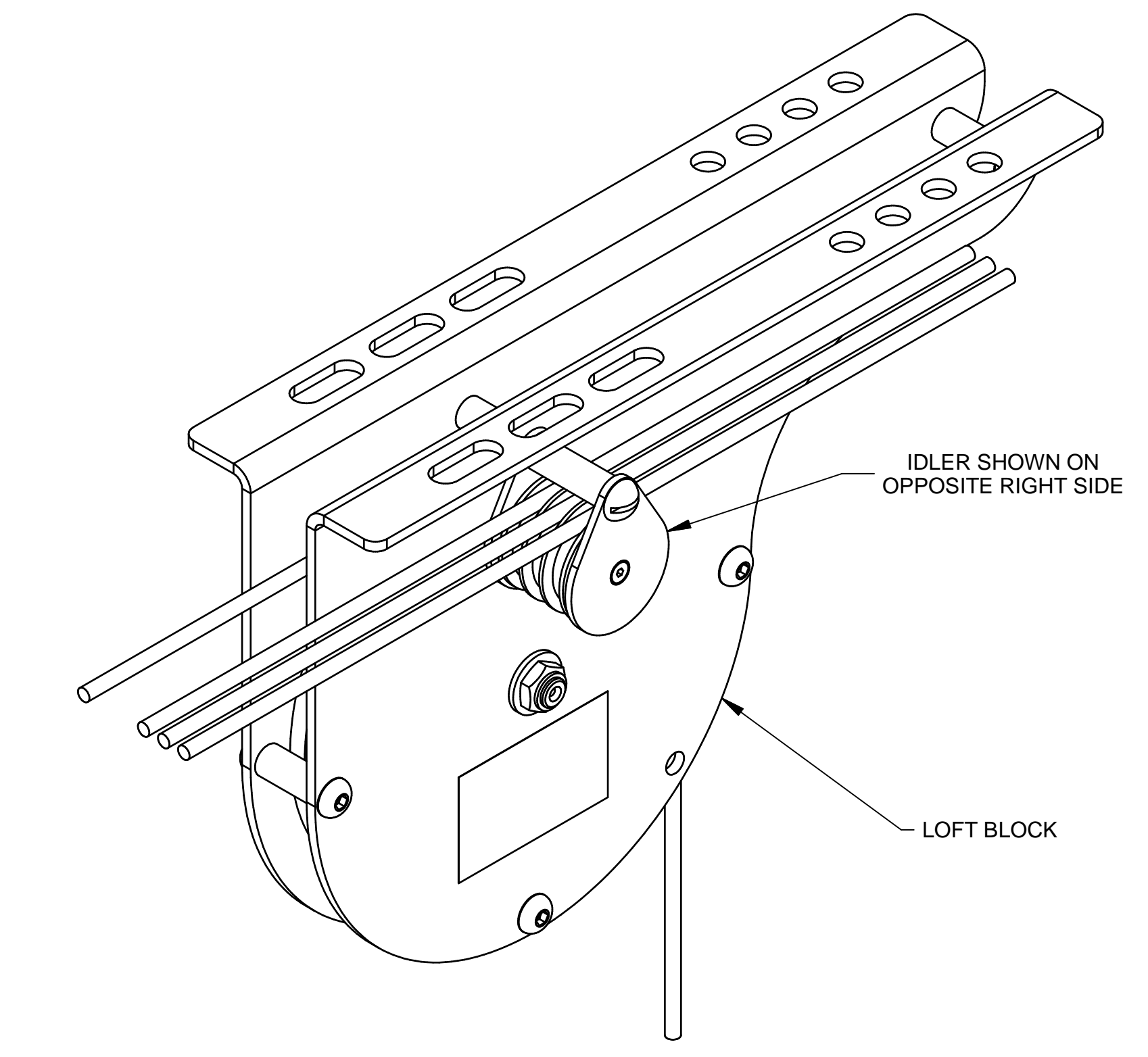
STANDARD LEFT SIDE CONFIGURATION			
IDLER BLOCK	GROOVES	ROPE SIZE	QUANTITY
LB2-L2N19	2	3/16	
LB2-L3N19	3	3/16	
LB2-L4N19	4	3/16	
LB2-L5N19	5	3/16	
LB2-L6N19	6	3/16	
LB2-L7N19	7	3/16	
LB2-L8N19	8	3/16	
LB2-L9N19	9	3/16	
LB2-L2N25	2	1/4	
LB2-L3N25	3	1/4	
LB2-L4N25	4	1/4	
LB2-L5N25	5	1/4	
LB2-L6N25	6	1/4	
LB2-L7N25	7	1/4	
LB2-L8N25	8	1/4	
LB2-L9N25	9	1/4	
LB2-L2N38	2	3/8	
LB2-L3N38	3	3/8	
LB2-L4N38	4	3/8	
LB2-L5N38	5	3/8	
LB2-L6N38	6	3/8	
LB2-L7N38	7	3/8	
LB2-L8N38	8	3/8	
LB2-L9N38	9	3/8	

L - LOFT  
 B - BLOCK  
 # - SHEAVE DIAMETER  
 -  
 L - IDLER  
 # - NUMBER OF GROOVES  
 N - SHEAVE MATERIAL (N=NYLON)  
 # - ROPE SIZE

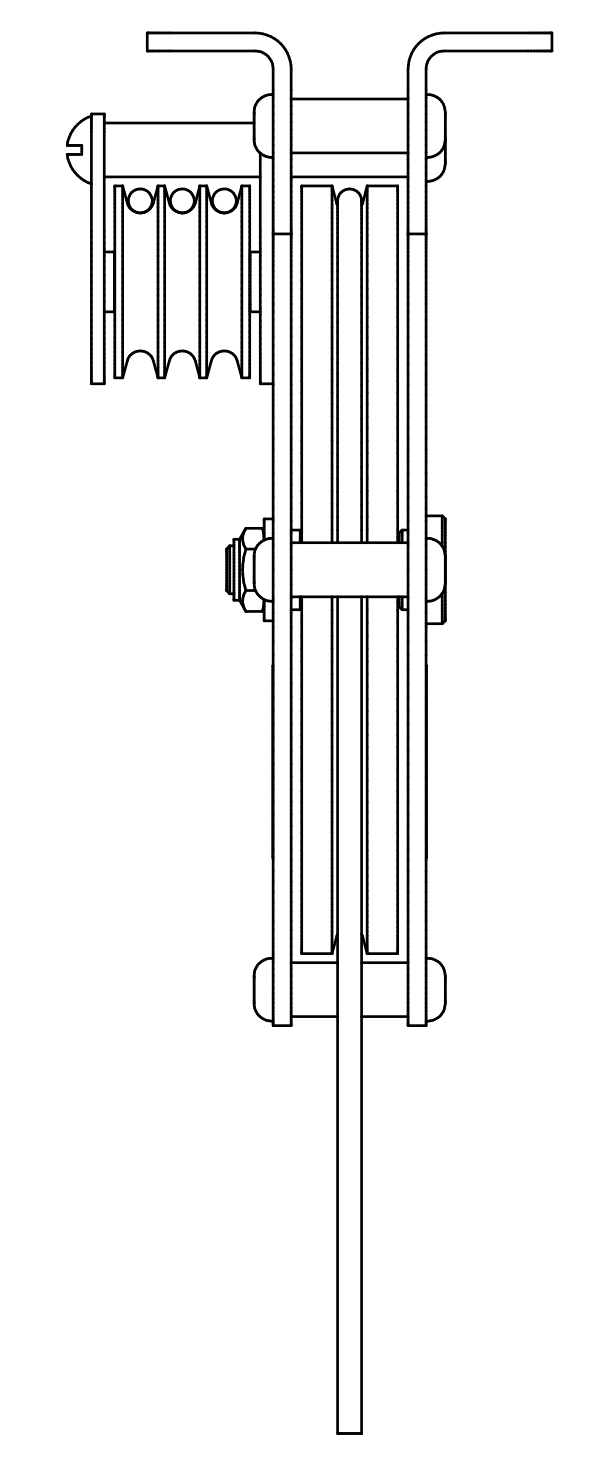
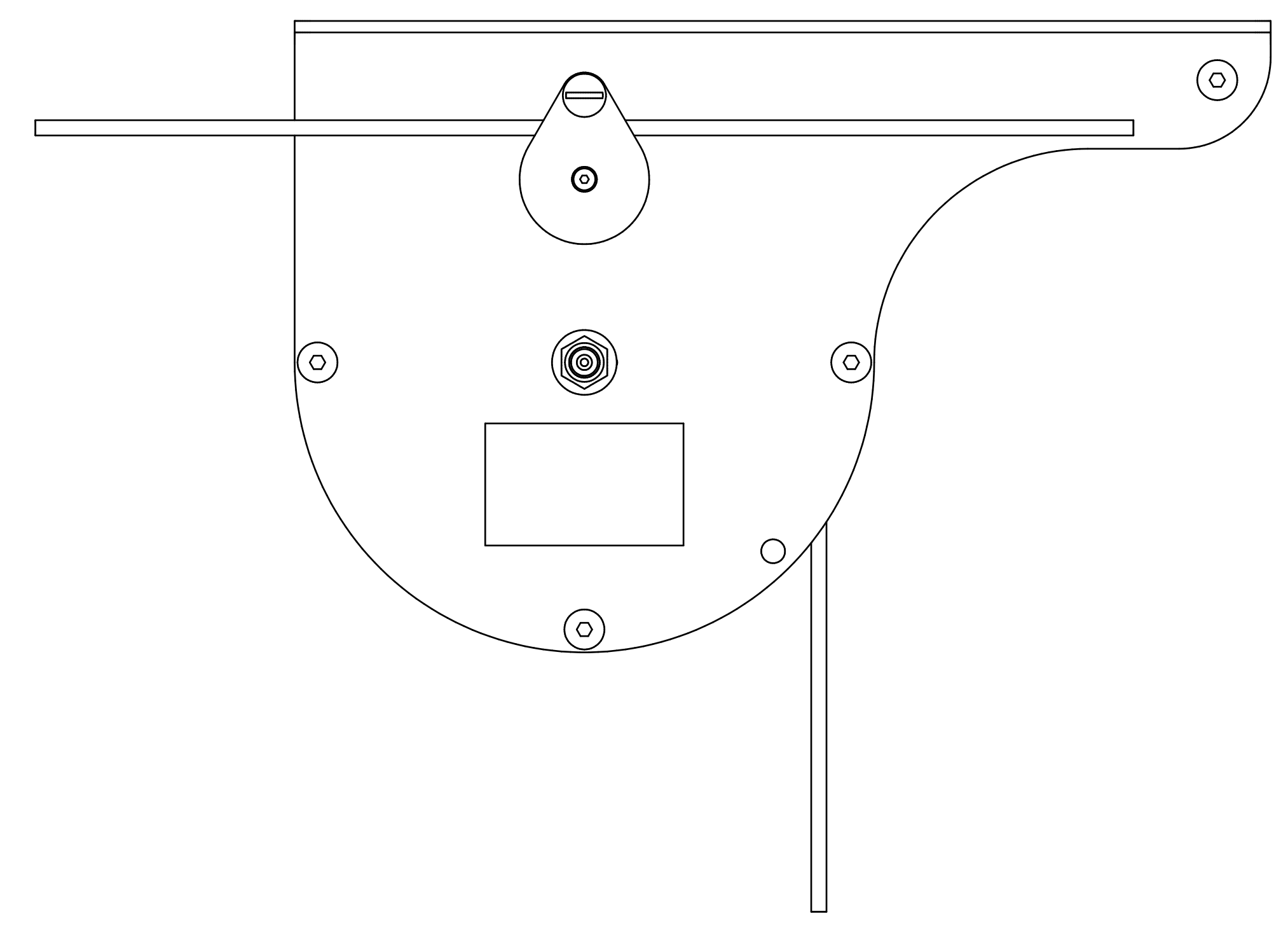
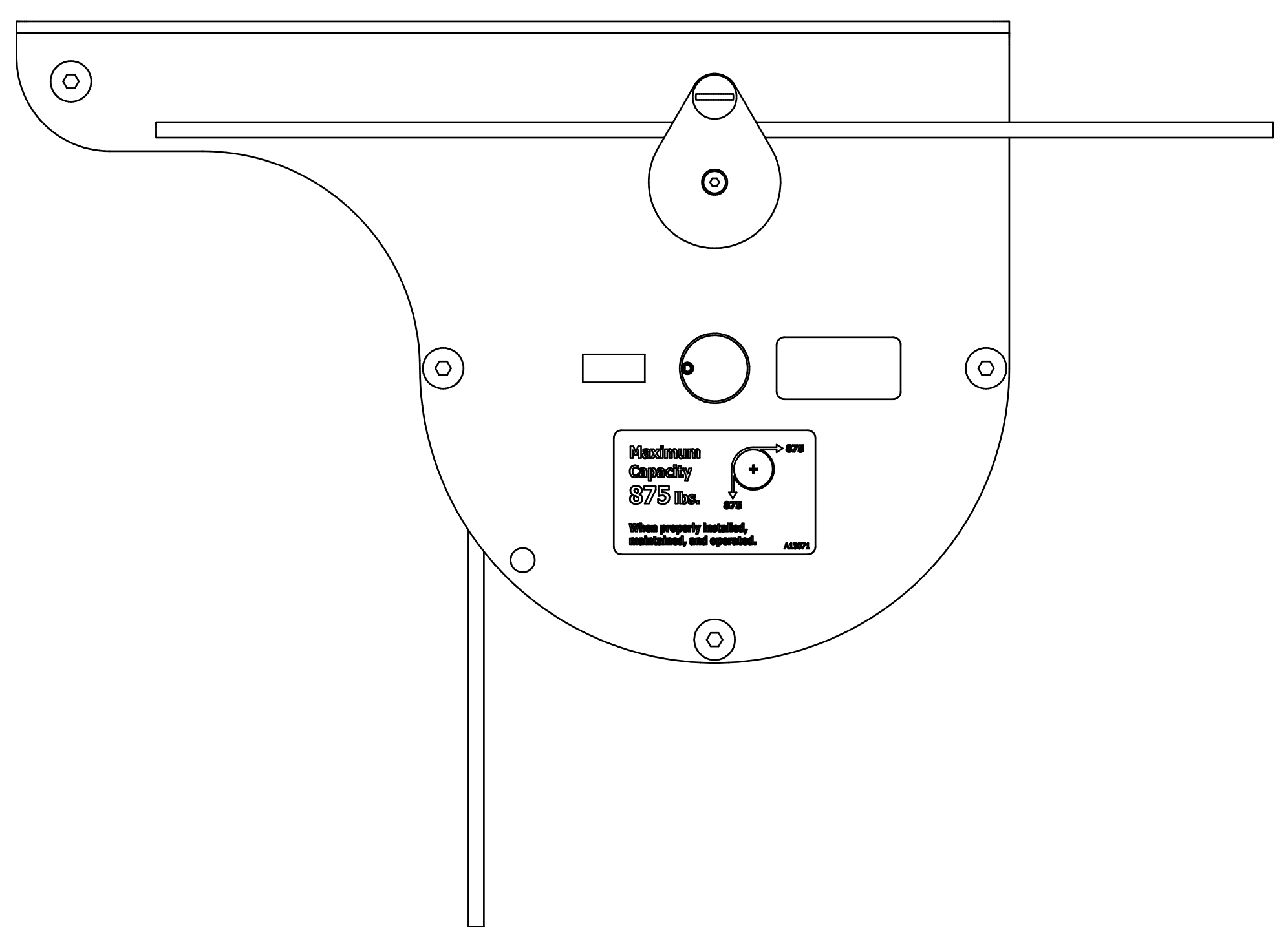
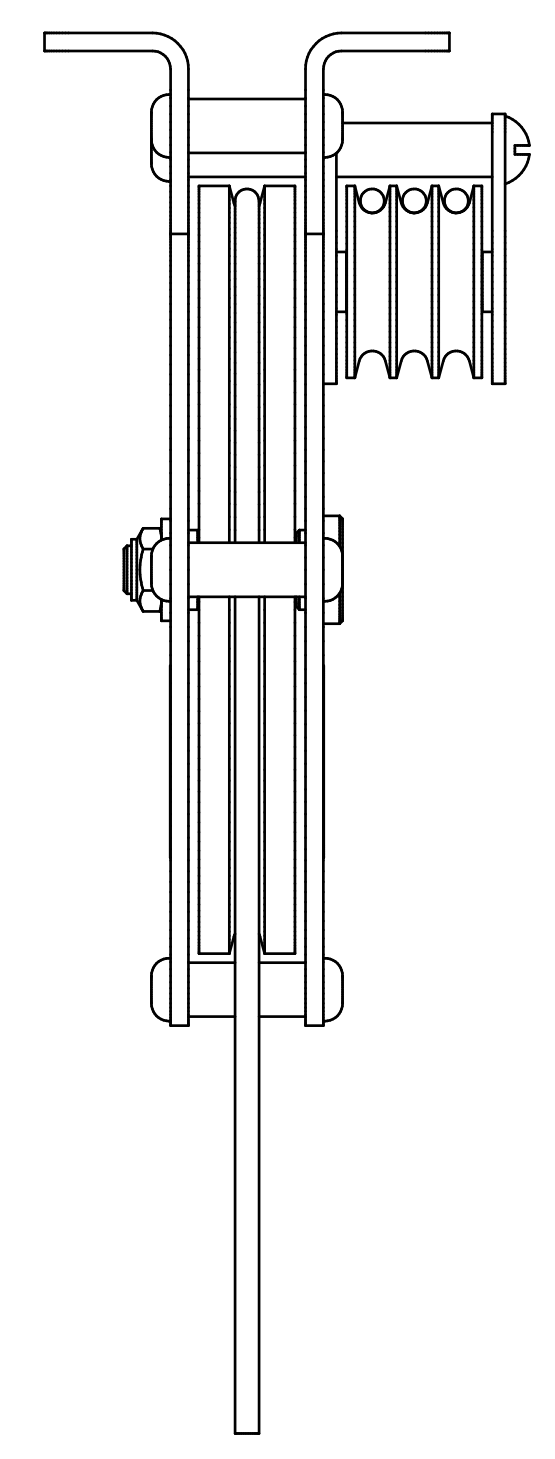
### LEFT SIDE MOUNTING STANDARD CONFIGURATION



### RIGHT SIDE MOUNTING OPTIONAL CONFIGURATION



OPTIONAL RIGHT SIDE CONFIGURATION			
IDLER BLOCK	GROOVES	ROPE SIZE	QUANTITY
LB2-L2N19	2	3/16	
LB2-L3N19	3	3/16	
LB2-L4N19	4	3/16	
LB2-L5N19	5	3/16	
LB2-L6N19	6	3/16	
LB2-L7N19	7	3/16	
LB2-L8N19	8	3/16	
LB2-L9N19	9	3/16	
LB2-L2N25	2	1/4	
LB2-L3N25	3	1/4	
LB2-L4N25	4	1/4	
LB2-L5N25	5	1/4	
LB2-L6N25	6	1/4	
LB2-L7N25	7	1/4	
LB2-L8N25	8	1/4	
LB2-L9N25	9	1/4	
LB2-L2N38	2	3/8	
LB2-L3N38	3	3/8	
LB2-L4N38	4	3/8	
LB2-L5N38	5	3/8	
LB2-L6N38	6	3/8	
LB2-L7N38	7	3/8	
LB2-L8N38	8	3/8	
LB2-L9N38	9	3/8	



THIS PRINT AND THE INFORMATION HEREIN IS THE PROPERTY OF THERN INC AND MUST NOT BE REPRODUCED EITHER IN FULL OR IN PART WITHOUT WRITTEN APPROVAL BY THERN INC.

SCALE: 1/2	DATE: 6/21/2019	DESIGNER: JRW	DRWING NO: D	REV: 1	SHT 1 OF 1
ASSEMBLY DRAWING IDLER BLOCK			A25188		

19.12 lbmass

**THERN**  
Winches & Cranes

5712 INDUSTRIAL PARK ROAD  
WINONA, MN 55987  
PHONE 1-507-454-2996  
WWW.THERN.COM