

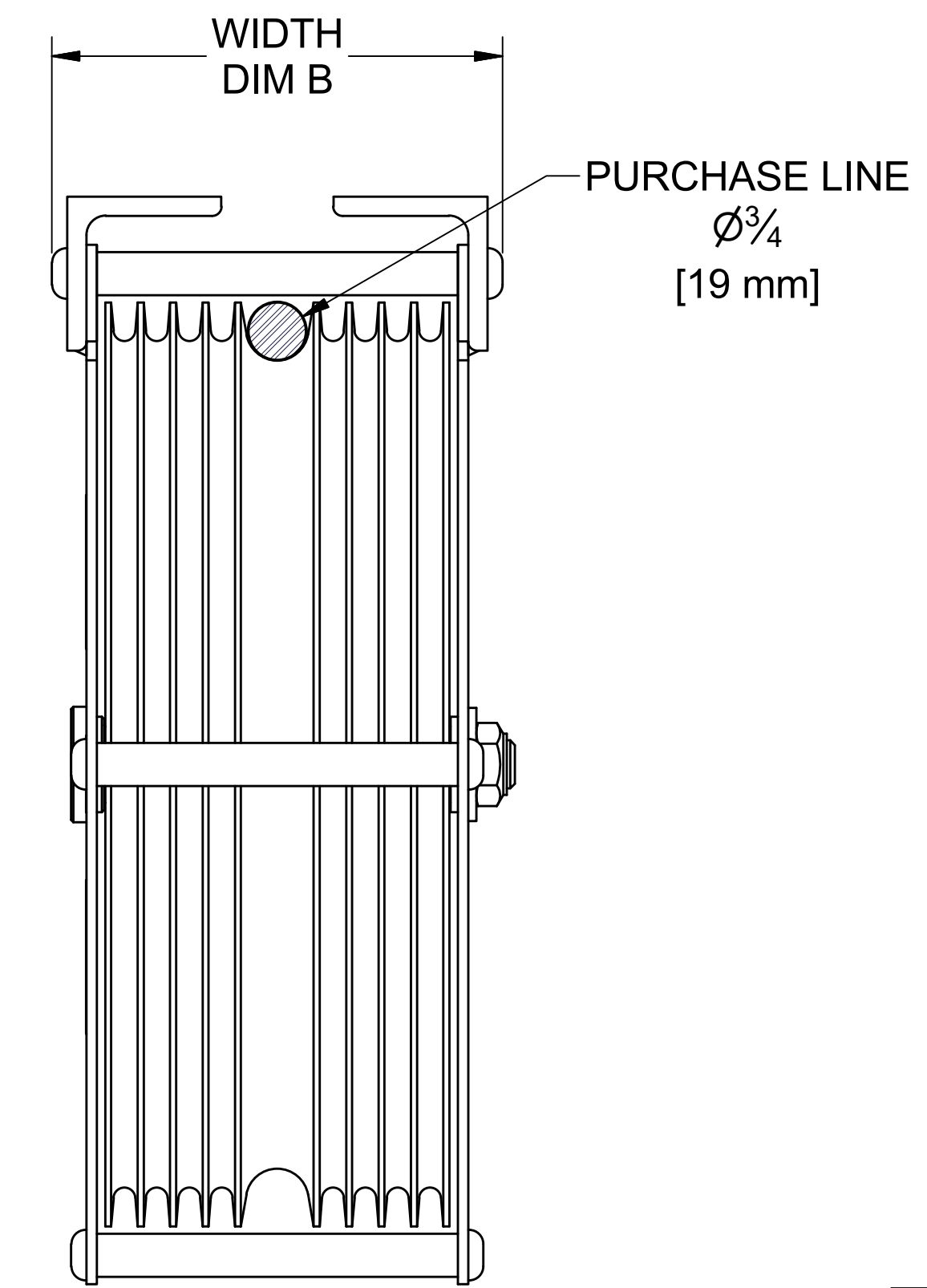
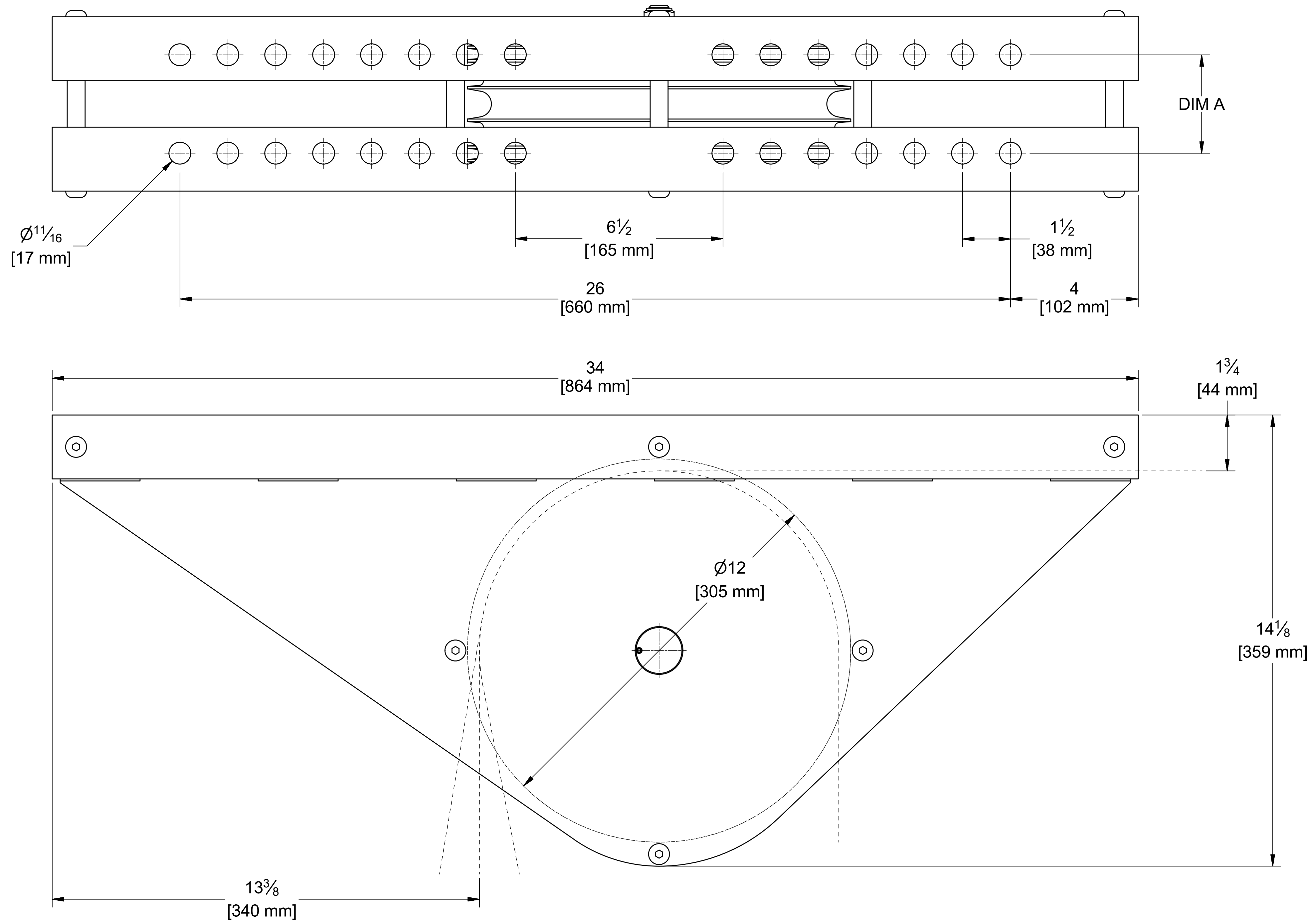
8 | 7 | 6 | 5 | 4 | 3 | 2 | 1

H - HEAD
 B - BLOCK
 # - SHEAVE DIAMETER
 -
 D - UNDERHUNG MOUNTING
 # - NUMBER OF GROOVES
 N - SHEAVE MATERIAL (N=NYLATRON, S=STEEL)
 # - ROPE SIZE (LIFT LINE)
 S - SINGLE
 P - PURCHASE

MODEL	CAPACITY	DIM A	DIM B	WEIGHT
HB12-D6N25SP	3000 LBS	2.21 [56mm]	4.98 [127mm]	56.41 LBS
HB12-D8N25SP	3000 LBS	3.08 [78mm]	5.86 [149mm]	60.38 LBS
HB12-D10N25SP	3000 LBS	3.96 [101mm]	6.73 [171mm]	64.32 LBS
HB12-D6S25SP	3000 LBS	2.21 [56mm]	4.98 [127mm]	73.68 LBS
HB12-D8S25SP	3000 LBS	3.08 [78mm]	5.86 [149mm]	80.90 LBS
HB12-D10S25SP	3000 LBS	3.96 [101mm]	6.73 [171mm]	88.03 LBS

NOTES:

- MAXIMUM RATED CAPACITY :
 - MAY EXCEED CAPACITY OF THE ROPE.
 - USE ROPE MANUFACTURER'S RATING AND SAFETY FACTOR TO DETERMINE LOAD LIMIT.
 - WHEN PROPERLY INSTALLED, MAINTAINED AND OPERATED.
 - IS BASED ON CABLES WRAPPED 90 DEGREES AROUND THE SHEAVE.
- MOUNTING HARDWARE MUST BE DISTRIBUTED EVENLY.
 - MINIMUM OF 4 ATTACHMENT POINTS.
- CONTACT FACTORY FOR NON-STANDARD REQUIREMENTS.



10 GA.
[3.4 mm]

DRAWINGS FOR PRODUCTION APPROVAL. MANUFACTURE WILL NOT BEGIN UNTIL APPROVED DRAWING IS RETURNED TO THERN INC.		COMPANY NAME _____ PRINT NAME _____ SIGNATURE _____ DATE _____	
DIMENSIONAL DRAWING		RETURN TO: THERN INC. 5712 INDUSTRIAL PARK ROAD WINONA, MN 55987 PHONE 1-507-454-2996 FAX 1-507-454-5292	
MODEL 12" HEAD BLOCK UNDR SP	WEIGHT SEE TABLE	SCALE NTS	DATE 10/26/2015
PART NO. D4520		SHEET OF 1	

8 | 7 | 6 | 5 | 4 | 3 | 2 | 1